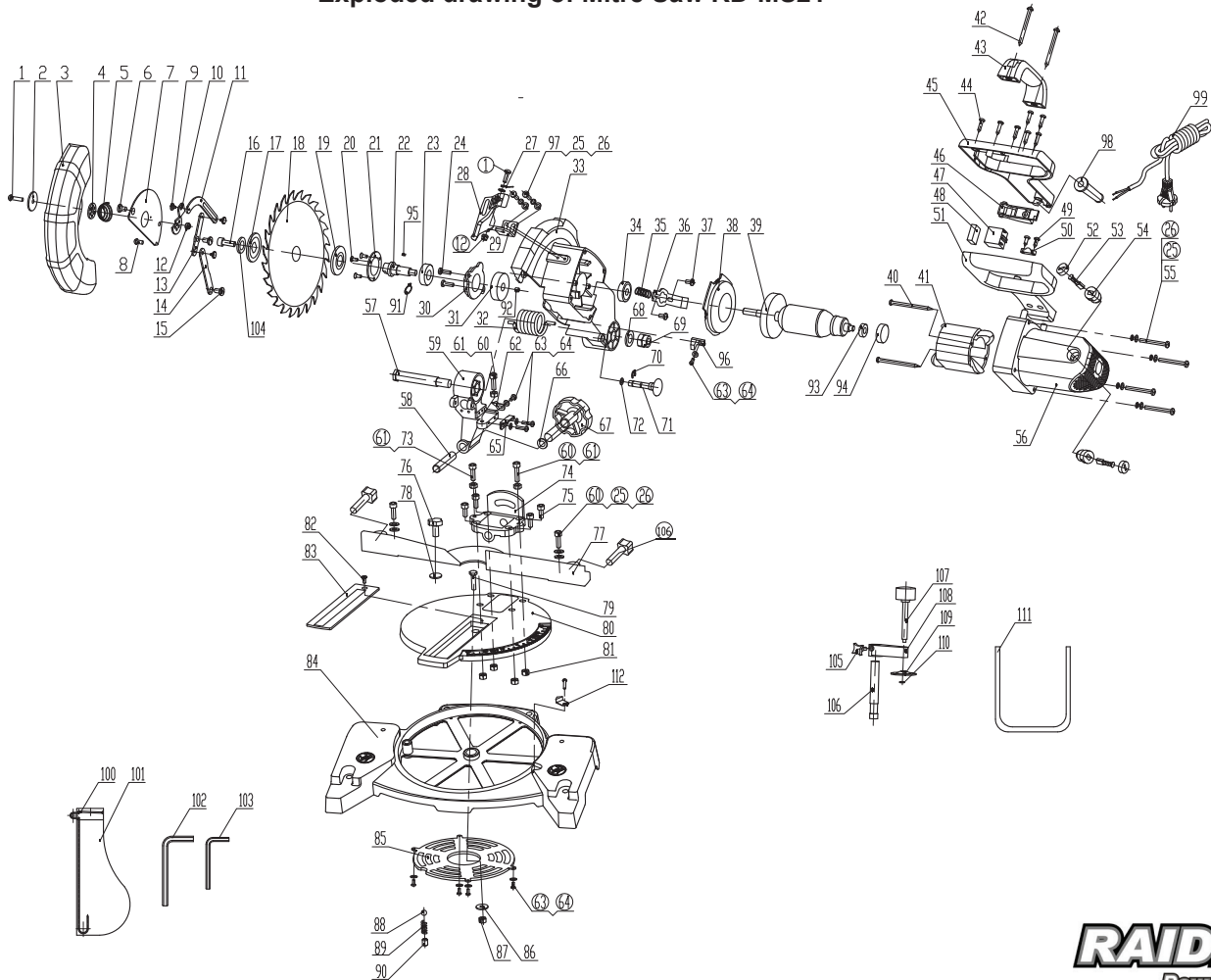


Exploded drawing of Mitre Saw RD-MS21



Spare Parts List of Mitre Saw RD-MS21

Explode Parts List (230V)

	Description	Qt		Description	Qt		Description	Qt
1	cross panhead screw M5X20	2	40	cross panhead screw ST4.2x70	2	79	hex bolt M6X25	1
2	big washer	1	41	stator	1	80	turnplate	1
3	active cover	1	42	cross panhead screw ST4.8x60	2	81	array nut M6	4
4	six hole caul	1	43	handle	1	82	cross flat head screw M4X6	1
5	tower spring	1	44	cross panhead screw ST4.2x18	7	83	protecting plate	1
6	dock panel locking screw	1	45	top handle	1	84	backing	1
7	active cover dock panel	1	46	seich button	1	85	protect cover	1
8	cross panhead screw M6X8	1	47	switch	1	86	big washer 6	1
9	rivet	3	48	capacitor	1	87	hex locking nut M6	1
10	active cover board	1	49	cross panhead screw ST4.2x13	2	88	ball ϕ 8	1
11	top link	1	50	cable pressboard	1	89	ball spring	1
12	hex locking nut M5	2	51	below handle	1	90	inner hex locating screw M10x10	
13	middle link	1	52	brush holder end cap	2	91	axle spring collar 12	1
14	below link	1	53	carbon brush	2	92	oil bearing	1
15	link screw	2	54	brush holder	2	93	bearing 608-2Z	1
16	inner hex screw M8x16-L	1	55	cross panhead screw M5X45	4	94	608 gearing	1
17	saw balde side board	1	56	housing	1	95	parallel key 4x5x13	1
18	saw ϕ 210	1	57	saw cover shaft	1	96	protect block	1
19	saw balde inner board	1	58	rocking arm shaft	1	97	cross panhead screw M5X12	2
20	cross flat head screw M4X10	3	59	rocking arm	1	98	cable jacket	1
21	active clamp	1	60	inner hex screw M6x30	4	99	cable	1
22	tailshaft	1	61	hex nut M6	5	100	wire hander	1
23	bearing 6002-2Z	1	62	rocking arm pointer	1	101	dust catcher bag	1
24	cross panhead screw M5X16	2	63	cross panhead screw M4X10	8	102	6mm inner hex spanner	1
25	spring washer 5	8	64	washer 4	8	103	5mm inner hex spanner	1
26	washer 5	9	65	stop flat	1	104	washer ϕ 8X ϕ 22X3	1
27	control button spring	1	66	big washer 8	1	105	screw	3
28	control bar	1	67	rocking arm locking handle	1	106	press pole	1
29	control base	1	68	washer 12	1	107	press screw pole	1
30	gear box cover	1	69	hex locking nut M12	1	108	press plank	1
31	big gear	1	70	open circlip 6	1	109	press board	1
32	saw cover twisting spring	1	71	saw cover locking arbor	1	110	axle spring collar 5	1
33	saw cover	1	72	O-ring ϕ 4.5x18	1	111	splint	2
34	bearing 6200-2Z	1	73	inner hex screw M6x16	1	112	backing angel pointer	1
35	self-lock bar spring	1	74	rocking arm base	1			
36	self-lock bar	1	75	inner hex screw M6x12	4			
37	self-lock bar stoping screw	2	76	locking screw	1			
38	wind guide	1	77	support	1			
39	rotor	1	78	backing board	1			